



ALLNET

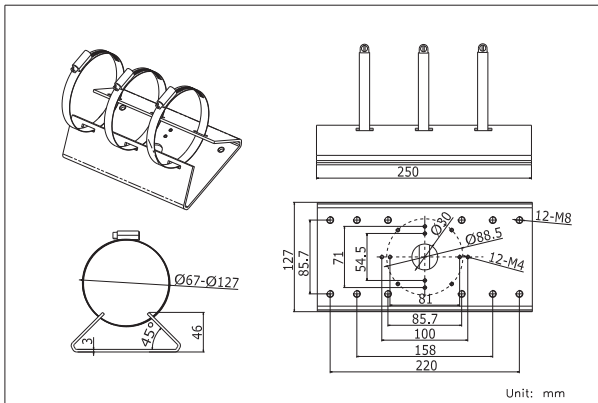
ALL-CAM2388-LVE-PoleMount

Vertical Pole Mount Bracket

- For pole mounting
- The clasp is made of stainless steel
- Mounting board is made of aluminum die-casting alloy

Art. Nr. 123689

Dimension



Order Model

ALL-CAM2388-LVE-PoleMount

Parameter

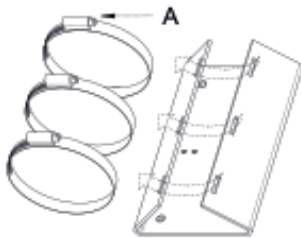
Model	ALL-CAM2388-LVE-PoleMount
Parameters	Vertical Pole Mount Bracket
Appearance	White
Range of Application	It can be used with some wall mount bracket Diameter of clamp: Ø67mm-127mm
Material	Aluminum Alloy Q195
Dimension	127×46×250mm
Weight	1345g

Notice

- The site of screw hole should be noticed when using with wall mount bracket
- Load capacity of pole should be more than 3 times the weight of camera and bracket
- Load capacity of clamp is 10KG

Installation steps:

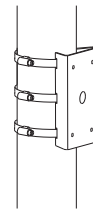
① Contrarotate the rotary knob and open the clamp



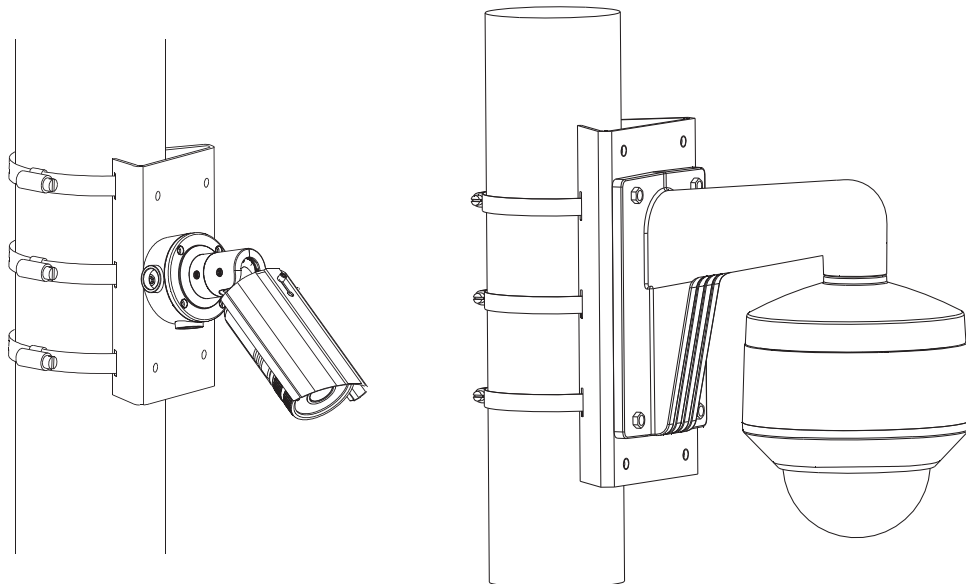
② Thread the clamp through the hole of mounting board



③ Clasp the clamp around the pole and rotate the rotary knob clockwise for tightening



This bracket can be used with some wall mount bracket to realize vertical pole mount, which is as followed:



Note: The actual bracket may vary from the picture above.