



## TERIUS STANDARD

### KEY BENEFITS



ETHERNET PORT

Available at  
**amazon**  
Prime

## HIGH SPEED Global Multichannel Router

- 1 or 2 4G/5G Channels
- SIM-less worldwide coverage
- Ideal for mobility projects



**30 day plans**  
No hidden costs

• **power of 2 channels**  
Supports up to two 4G/5G Channels and distributes connections.



**Controlled cost**  
and usage

• **Get rid of the SIM-Card mess**  
Same as TARKAN, TERIUS was built on virtual software SIM-Cards, which do get dynamic loaded, fitting the best-supported GSM carrier of the country where you are using the device. It registers and provides mobile internet access to you at local cost, eliminating Roaming charges. It has access to a SIM-Card database of several thousands of SIM-Cards.



**1 Year valid**  
Data Volume

• **Gigabit Ethernet Port**  
TERIUS connects your project conveniently, via the "Built in" Ethernet Port.



**> 52 supported**  
Countries

• **VPN**  
Secure your traffic with the router built in VPN, which country specific can route your traffic secure and anonymous via public unsecure networks.



**12V**  
car battery design

• **Flexible 4G modules**  
Choose from a large variety of available LTE Modules. According to our tests, 5G Standard modules do not provide any significant gain in performance.



**> 520 Carriers**  
supported

Selectable modules according 3GPP Release 11 Standard	
<b>LTE-CAT4</b> - 150/50 Mbps World QUECTEL EG25-G	<b>4G FDD</b> B1/B2/B3/B4/B5/B7/B8/B12/B13/B18/ B19/B20/B25/B26/B28 <b>4G TDD</b> B38/B39/B40/B41 <b>3G WCDMA</b> B1/B2/B4/B5/B6/B8/B19
<b>LTE-CAT6</b> - 300/50 Mbps Europe, Middle East, Africa, Korea, Thailand, Brazil QUECTEL EP06-E	<b>4G LTE FDD:</b> B1/B3/B5/B7/B8/B20/B28/B32 <b>4G TDD:</b> B38/B40/B41 <b>3G WCDMA:</b> B1/B3/B5/B8
<b>LTE-CAT12</b> - 600/150 Mbps World QUECTEL EW12-G	<b>4G LTE FDD:</b> B1/B2/B3/B4/B5/B7/B8/B9/B12/B13/B14/B17/B18/B19/B2 0/B21/B25/B26/B28/B29/ B30/B32 /B66 <b>4G LTE TDD:</b> B38/B39/B40/B41 <b>3G WCDMA:</b> B1/B2/B3/B4/B5/B8/B9/B19
Maximum Speeds Download/Upload	LTE CAT4 - 150/50 Mbps LTE-A CAT6 - 300/50 Mbps LTE-A CAT12 - 600/150 Mbps 3G - HSPA+ 43.2 Mbps



Connect via  
**Ethernet Port**

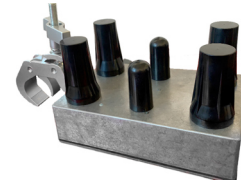
**European Union**  
city-netze GmbH  
Kuefergasse 11  
89073 Ulm  
GERMANY  
<https://level421.de>

**International**  
level421 Limited  
124 Tomas Street  
2013 Dalayap/ Candaba  
PHILIPPINES  
<https://level421.com>

**Telegram:** #Level421  
**WhatsApp:** +49 177 5369568



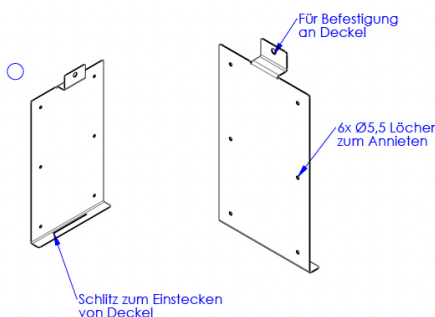
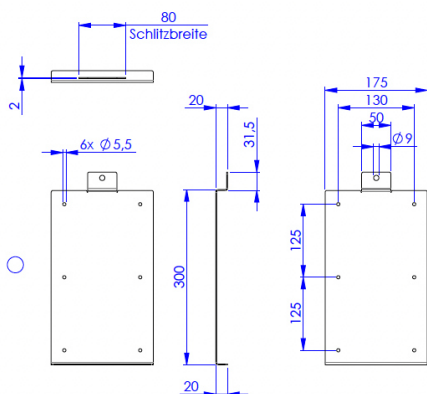
#### FEATURES TERIUS STANDARD ROUTER



	TERIUS STANDARD/ indoor	TERIUS STANDARD/ outdoor
Recommended Users	50-100	50-100
Aggregated Throughput	250 Mbps max	250 Mbps max
4G/ LTE Channels	1 or 2x LTE	2x LTE
Optional useable Physical SIM Slots	No physical Sim Slot "Built In"	No physical Sim Slot "Built In"
Antenna Connectors	4x SMA for LTE/ 2x SMA for UMTS	all antennas "Build in"
GPS	Not Integrated	Not Integrated
Dimensions & Weight	168 x 102 x 30 mm / 0.5 kg	175x276x168 mm / 1,8 kg
Power requirements	DC 12V - 15 Watt	POE 24V - 25 Watt / 802.3 AF
LAN Interfaces	2x Gigabit Ethernet Port (one useable at current software release)	1x Gigabit Ethernet Port
WAN Interfaces 1)	Not Available	Not Available
WIFI	optional	optional
Link Aggregation 2)	Yes	Yes
Bandwidth Bonding 3)	Available with TERIUS ADVANCED	Available with TERIUS ADVANCED
VPN	Integrated (L2TP)	Integrated (L2TP)
Spread Spectrum Data Tunneling 4)	Available with TERIUS ADVANCED	Available with TERIUS ADVANCED
High Availability 5)	Included in 2 channel version	Included
Router Functionalities	Not Integrated, Gateway only, Available with TERIUS ADVANCED	Not Integrated, Gateway only, Available with TERIUS ADVANCED
Carrier optimization	Round Robin Failover	Round Robin Failover
Certifications	CE, FCC	CE, FCC
Implied legal Warranties	2 years	2 years

**1)** Wan can get configured to add additional sources of capacity, such as a satellite modem, or a physical land line **2)** Link Aggregation shares capacity load among multiple LTE channels, but does not increase the total top speed per connection. **3)** Bandwidth Bonding does aggregate together two physical LTE links at about 80 % of their nominal Bandwidth (Example LTE line A 10/50 Mbps + LTE line B 10/50 Mbps \*0,8 = 16/80 Mbps Total aggregated Bandwidth) **4)** Spread Spectrum Data Tunneling increases VPN stability for mobility applications, but increases data volume on factor 1,8 or 3,6 **5)** High Availability automatically suspends data routing via disconnected LTE channels and prioritises connected channels.

#### VEHICLE MOUNTING PLATE DIMENSIONS:



#### COVERED COUNTRIES EUROPE (52 TOTAL)

ALBANIA, ANDORRA, ARMENIA, **AUSTRIA**, AZERBAIJAN, BELGIUM, BULGARIA, CROATIA, CYPRUS (GREEK PART ONLY), CZECH REPUBLIC, DENMARK, ESTONIA, FINLAND, FRANCE, GEORGIA, GERMANY, GREECE, HUNGARY, ICELAND, IRELAND, ITALY, KAZAKHSTAN, LATVIA, LIECHTENSTEIN, LITHUANIA, LUXEMBOURG, MACEDONIA, MALTA, MONACO, MOLDAVA, NETHERLANDS, NORWAY, POLAND, PORTUGAL, ROMANIA, SERBIA, SLOVAKIA, SLOVENIA, SPAIN, SWEDEN, SWITZERLAND, TURKEY, UKRAINE, UNITED KINGDOM, VATICAN CITY

**DEPENDENT TERRITORIES:** FAROER ISLANDS (DK), ÅLAND ISLANDS (S), GIBRALTAR (UK), GUERNSEY (UK), ISLE OF MAN (UK), JERSEY (UK), SVALBARD AND JAN MAYEN (NOR)

